



DESCRIPTION

PT2607 is a data-trigger type tri-state remote control encoder IC utilizing CMOS Technology. It encodes data and address pins into a serially encoded waveform suitable for RF modulation. PT2607 provides 12 address bits and 6 data bits. It may be paired with PT2604 and is housed in 20-pin, SO or DIP Package. Pin assignments and application circuit are optimized for easy PCB Layout and cost saving benefits.

FEATURES

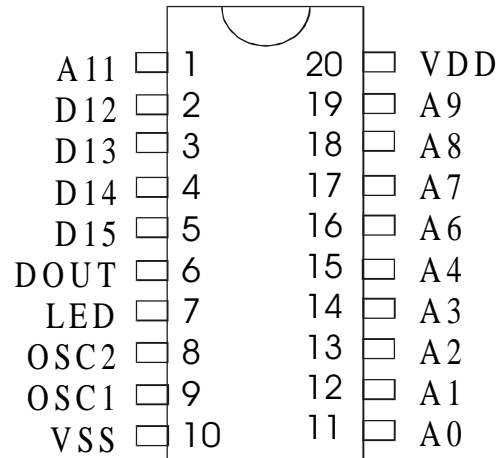
- CMOS Technology
- Low Power Consumption
- Operating Voltage: 2.4 to 15 V
- Low Standby Current
- Three Words Transmission
- Built-in Oscillator
- Least External Components
- Available in 20-pin DIP or SO Package
- Easy to Use

APPLICATIONS

- Burglar Alarm System
- Car/Motorcycle Security System
- Home/Office Security System
- Smoke & Fire Alarm System
- Toy/Garage Door Remote Controller
- Cordless Telephone
- Object Finder
- Remote Switch
- Remote Control for Industrial Use
- Automation System



PIN CONFIGURATION



PT2607



APPLICATION CIRCUITS

